

# Omnidirectional antenna

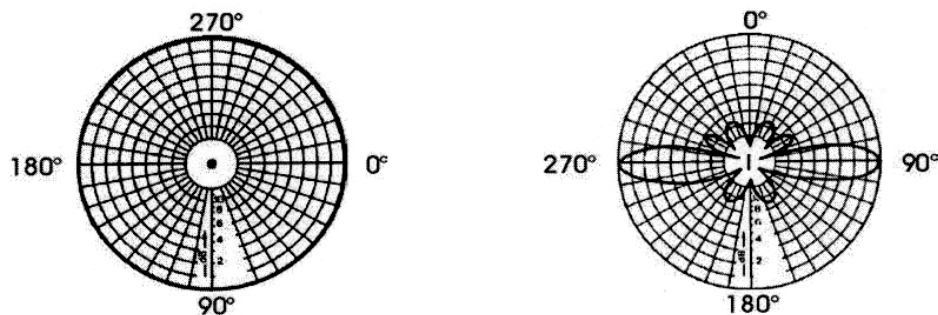
872 – 960 MHz

R-F 630 NJ

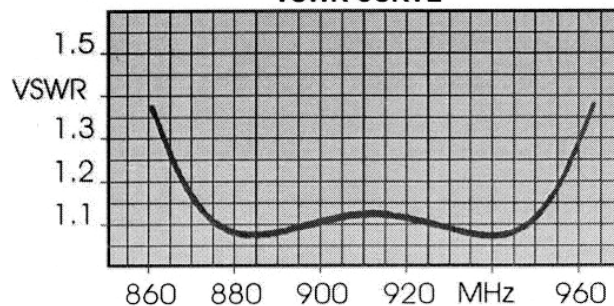
## Specifications:

Frequency range	: 872 - 960 MHz
Input impedance	: 50 ohm
V.S.W.R.	: < 1.5:1
Beamwidth -3 dB	: 14°
Maximum rated RF power	: 100 watt
Polarization	: Vertical
Gain	: 6 dBd over 1/2 wave dipole
Type of connection	: N female
Mounting hole	: From 33 to 60 mm master tube
Elements material	: Brass passivated
Wind resistance	: 160 km/h
Length	: 1410 mm
Net weight	: abt. 1400 g
Working temperature	: From -35° to +80°

## RADIATION PATTERN



## VSWR CURVE



Walter Krenn  
Hochfrequenztechnik GmbH

Simmeringer Hauptstraße 421  
1110 Wien, Austria

Tel.: +43-1-748 7117/0  
Fax.: +43-1-748 7117/90