

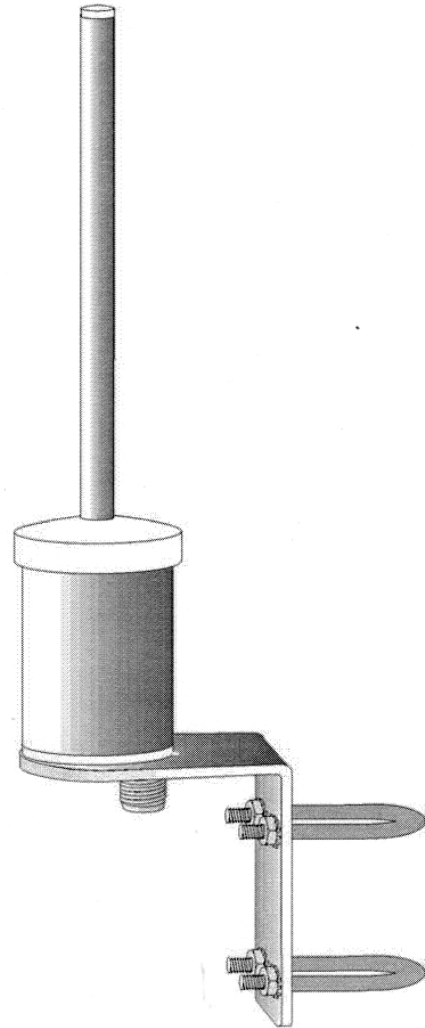
# Omnidirectional UHF base antenna

SF 910

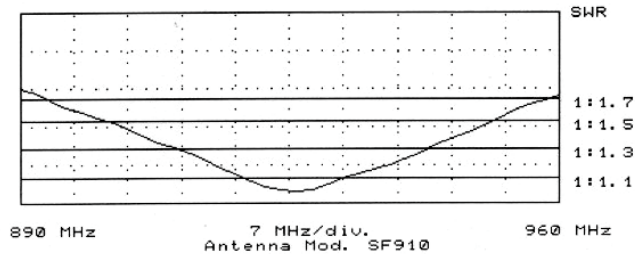
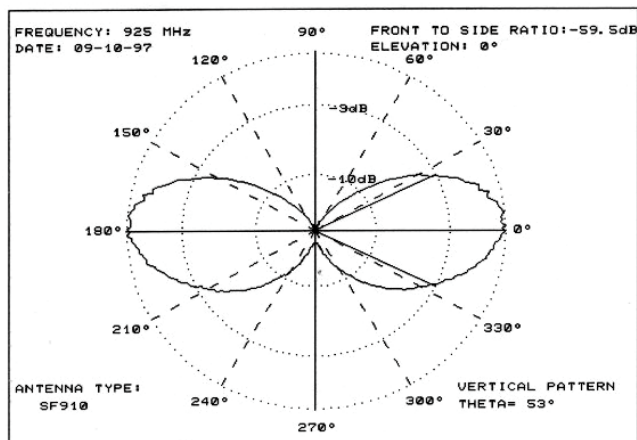
890 – 960 MHz

## Specifications:

Type	: Colinear
Frequency range	: 890 - 960 MHz
Input impedance	: 50 ohm
V.S.W.R.	: < 1:1.2 (center frequency)
Beamwidth -3 dB	: 53°
Maximum rated RF power	: 200 watt
Polarization	: Vertical
Gain	: 2 dBd
Type of connection	: N female
Mounting hole	: From 30 to 40 mm master tube
Length	: 250 mm



### RADIATION PATTERN



Walter Krenn  
Hochfrequenztechnik GmbH

Simmeringer Hauptstraße 421  
1110 Wien, Austria

Tel.: +43-1-748 7117/0  
Fax.: +43-1-748 7117/90