

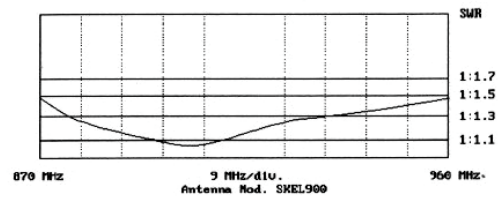
External and internal use directive antenna

SKEL 900

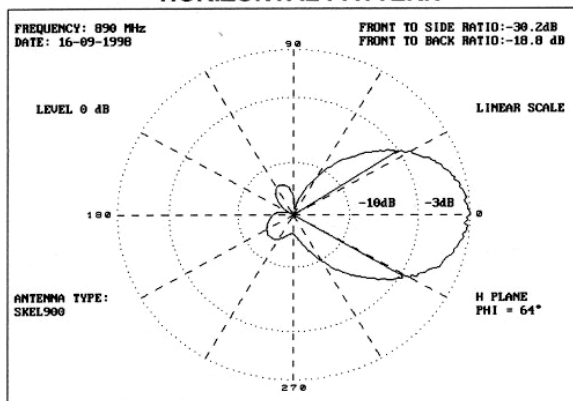
870 – 960 MHz

Specifications:

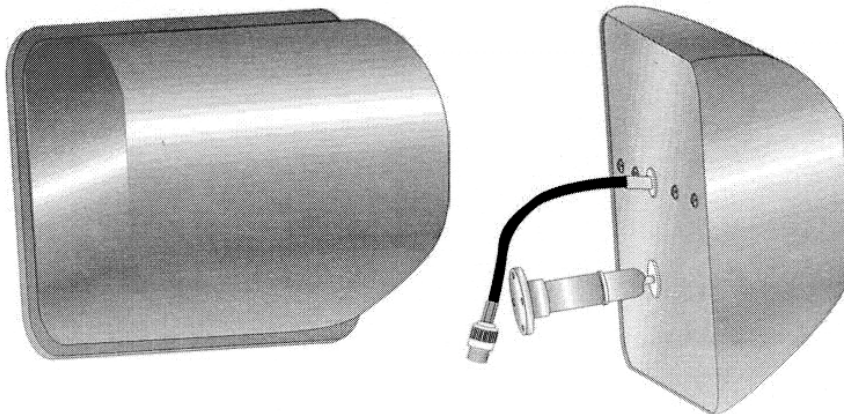
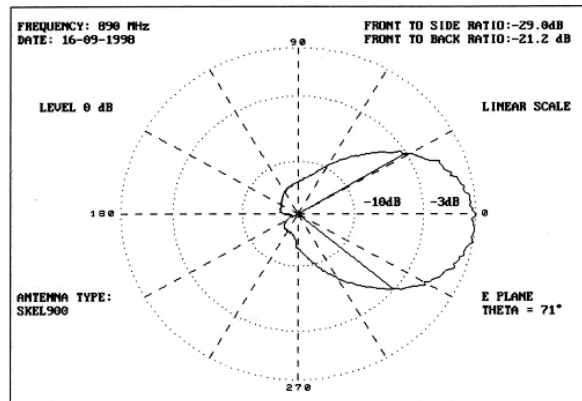
Type	: Skeleton
Frequency range	: 870 - 960 MHz
Input impedance	: 50 ohm
V.S.W.R.	: <1:1.5
Maximum rated RF power	: 50 watt
Polarization	: Vertical or Horizontal
Gain	: 9 dBi
Type of connection	: FME male
Dimensions	: 220 mm x 165 mm x 110 mm



HORIZONTAL PATTERN



VERTICAL PATTERN



Walter Krenn
Hochfrequenztechnik GmbH

Simmeringer Hauptstraße 421
1110 Wien, Austria

Tel.: +43-1-748 7117/0
Fax.: +43-1-748 7117/90