

Colinear 5dB omnidirectional antenna

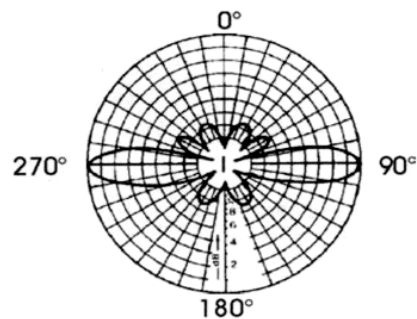
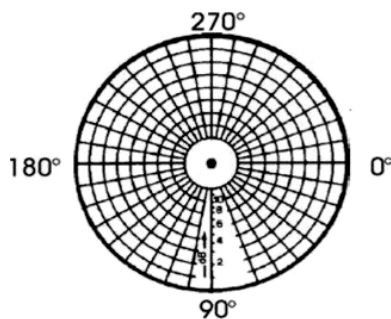
R-F 530 NL

380 – 400 MHz

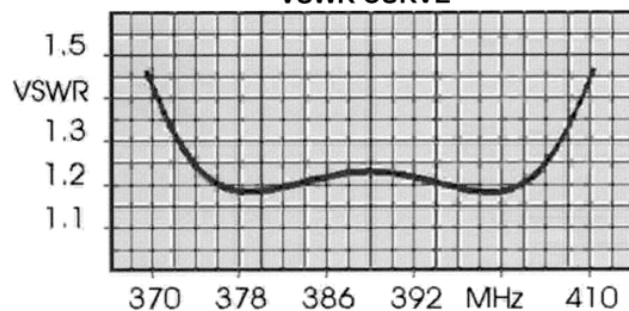
Specifications:

Frequency range	: 380 - 400 MHz
Input impedance	: 50 ohm
V.S.W.R.	: < 1:1.5
Beamwidth -3 dB	: 18°
Maximum rated RF power	: 100 watt
Polarization	: Vertical
Gain	: 7 dBi
Type of connection	: N female
Mounting hole	: From 33 to 60 mm master tube
Elements material	: Brass passivated
Wind resistance	: 160 km/h
Lenght	: 2360 mm
Net weight	: abt. 2200 g
Working temperature	: From -35° to +80°

RADIATION PATTERNS



VSWR CURVE



Walter Krenn
Hochfrequenztechnik GmbH

Simmeringer Hauptstraße 421
1110 Wien, Austria

Tel.: +43-1-748 7117/0
Fax.: +43-1-748 7117/90