

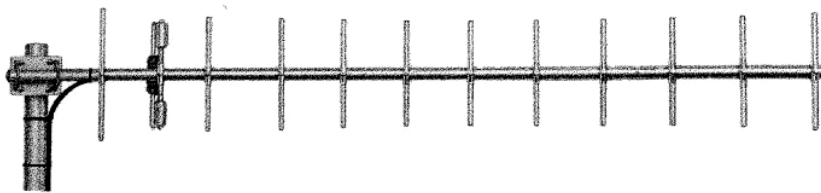
# Twelve elements Yagi antenna

450 – 470 MHz

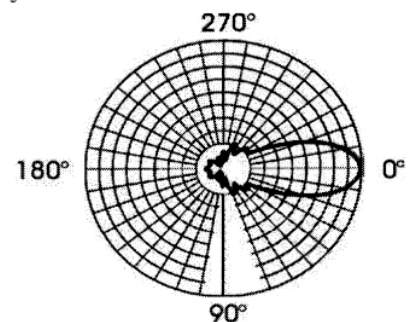
R1Y 210 NZ

## Specifications:

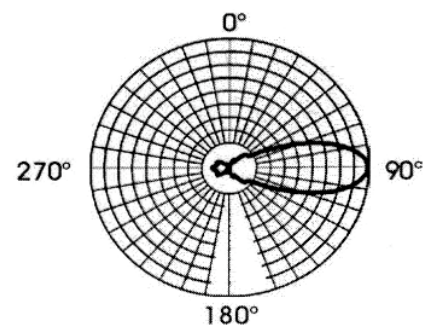
Frequency range	: 450 - 470 MHz
Input impedance	: 50 ohm
V.S.W.R.	: < 1.5:1
Beamwidth -3 dB	: 40° H-Plane - 38° E-Plane
Front to Back ratio	: > 18 dB
Maximum rated RF power	: 150 watt
Polarization	: Vertical or Horizontal
Gain	: 15.5 dBi
Type of connection	: N female
Mounting hole	: From 33 to 60 mm master tube
Boom material	: Aluminium alloy DIN 3.2315
Elements material	: Aluminium alloy DIN 3.2306
Wind resistance	: 160 km/h
Dimensions	: 325 x 1815 mm
Net weight	: abt. 3900 g
Working temperature	: From -35° to +80°



RADIATION PATTERN

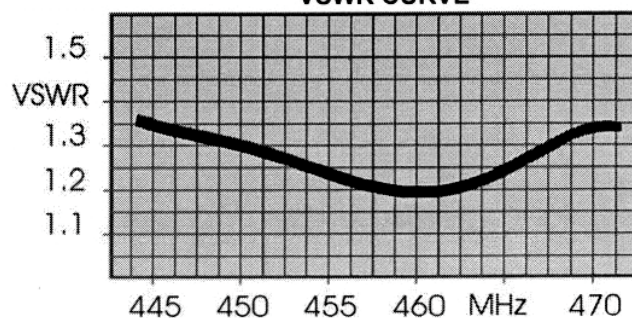


H - PLANE



E - PLANE

VSWR CURVE



Walter Krenn  
Hochfrequenztechnik GmbH

Simmeringer Hauptstraße 421  
1110 Wien, Austria

Tel.: +43-1-748 7117/0  
Fax.: +43-1-748 7117/90