

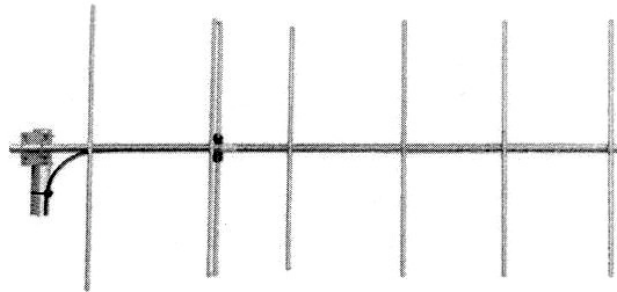
Six elements Yagi antenna

164 – 174 MHz

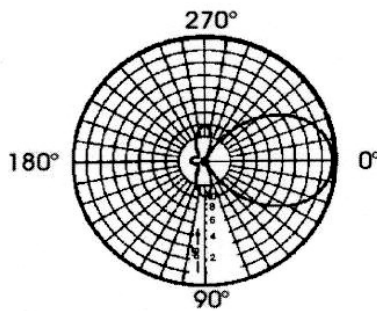
R-Y 610 NH

Specifications:

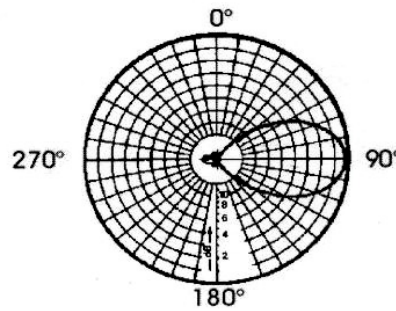
Frequency range	: 164 - 174 MHz
Input impedance	: 50 ohm
V.S.W.R.	: < 1.5:1
Beamwidth -3 dB	: 64° H-Plane - 52° E-Plane
Front to Back ratio	: > 19 dB
Maximum rated RF power	: 150 watt
Polarization	: Vertical or Horizontal
Gain	: 10 dBi
Type of connection	: N female
Mounting hole	: From 33 to 60 mm master tube
Boom material	: Aluminium alloy DIN 3.2315
Elements material	: Aluminium alloy DIN 3.2306
Wind resistance	: 160 km/h
Dimensions	: 880 x 1805 mm
Net weight	: abt. 3700 g
Working temperature	: From -35° to +80°



RADIATION PATTERN

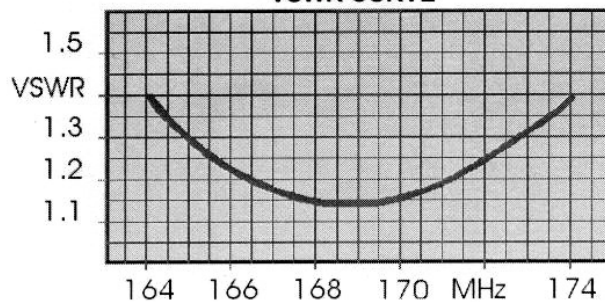


H - PLANE



E - PLANE

VSWR CURVE



Walter Krenn
Hochfrequenztechnik GmbH

Simmeringer Hauptstraße 421
1110 Wien, Austria

Tel.: +43-1-748 7117/0

Fax.: +43-1-748 7117/90