

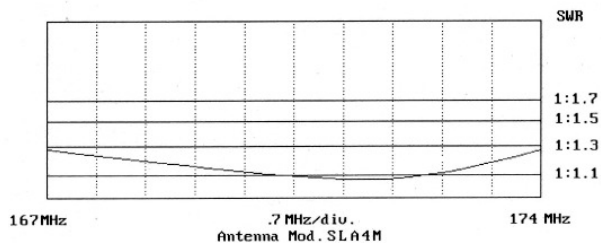
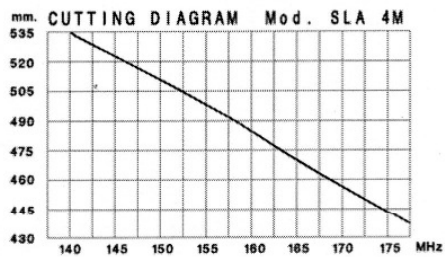
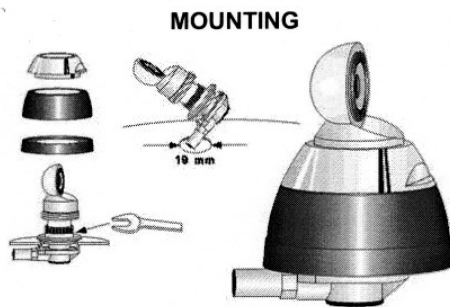
Mobile antenna

144 – 174 MHz

SL A 4M

Specifications:

Type	: 1/4
Frequency range	: 144 - 174 MHz
Input impedance	: 50 ohm
V.S.W.R.	: < 1:1.5
Maximum rated RF power	: 100 watt
Polarization	: Vertical
Gain	: 0 dBd
Type of connection	: 4.5 m of RG058 coaxial cable
Whip material	: Inox steel
Spring material	: Inox steel
Mounting hole	: 19 mm
Base	: Waterproof "L" mount
Length	: 535 mm



Walter Krenn
Hochfrequenztechnik GmbH

Simmeringer Hauptstraße 421
1110 Wien, Austria

Tel.: +43-1-748 7117/0
Fax.: +43-1-748 7117/90