

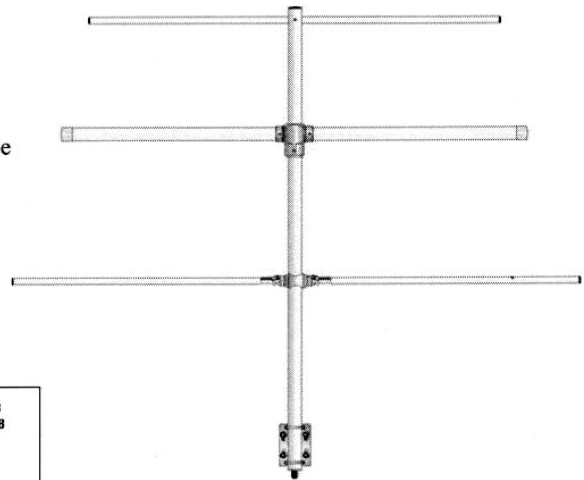
# Three elements Yagi antenna

SY 153

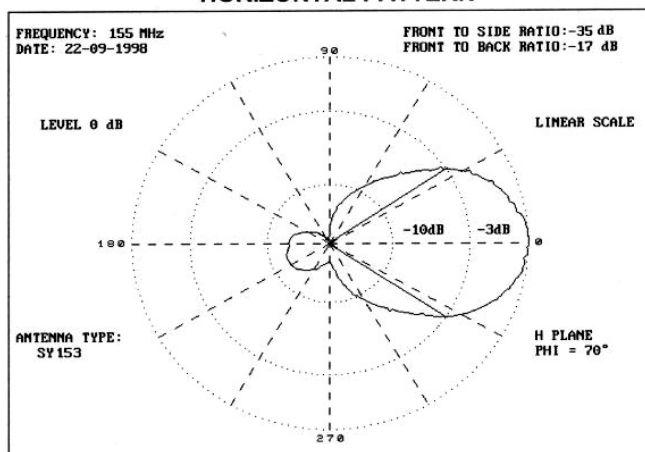
144 – 175 MHz

## Specifications:

Type	: 3 el. yagi
Frequency range	: 144 - 175 MHz
Input impedance	: 50 ohm
V.S.W.R.	: < 1:1.6
Beamwidth -3 dB	: H plane 70° - E plane 140°
Maximum rated RF power	: 200 watt
Polarization	: Vertical or Horizontal
Gain	: 5.5 dBd
Type of connection	: N female
Mounting hole	: From 30 to 62 mm master tube
Boom material	: Anodized Aluminium
Elements material	: Anodized Aluminium
Wind resistance	: 120 Km/h.
Dimensions	: 1150 mm x 1100 mm
Net weight	: 3600 g



### HORIZONTAL PATTERN



### VERTICAL PATTERN

