

10-32 straight plug

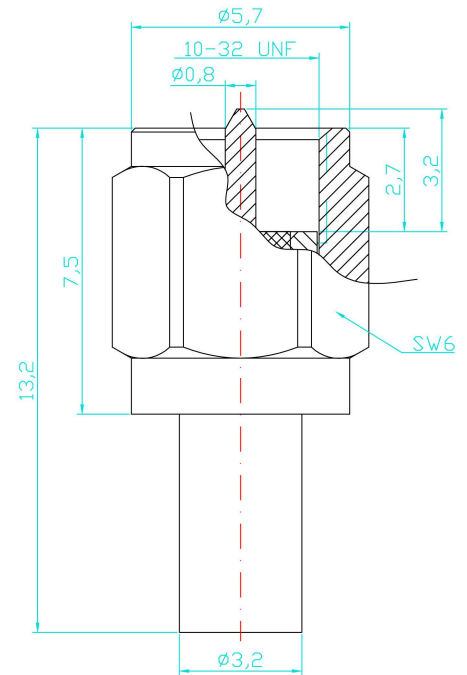
Solder-crimp, IP40; loosely hexagon nut

X-1032-1A-02

N000000068

Specifications:

Impedance:	50 Ω
Frequency range:	0 ... 2 GHz
Insulation resistance:	$\geq 10^{14} \Omega$
Center contact resistance:	$\leq 3.0 \text{ m}\Omega$
Outer contact resistance:	$\leq 3.0 \text{ m}\Omega$
Test voltage:	500 V rms
Contact current:	$\leq 3 \text{ A typ.}$
Mating cycles:	500 matings
Temperature range:	-40°C to +230°C
Degree of protection:	IP40



Materials / Plating:

Body:	CuZn/Ni
Center contact:	CuZn/Ag
Dielectric:	PTFE
<i>Suitable cables:</i>	RGL 196

While the information in this datasheet has been carefully compiled to the best of our knowledge, nothing is intended as representation of warranty on our part and no statement herein shall be construed as recommendation to infringe existing patents. In the effort to improve our products, we reserve the right to make changes judged to be necessary.



Walter Krenn
Hochfrequenztechnik GmbH

Simmeringer Hauptstraße 421
1110 Wien, Austria

Tel.: +43-1-748 7117/0
Fax.: +43-1-748 7117/90