

M3x0,35 straight plug

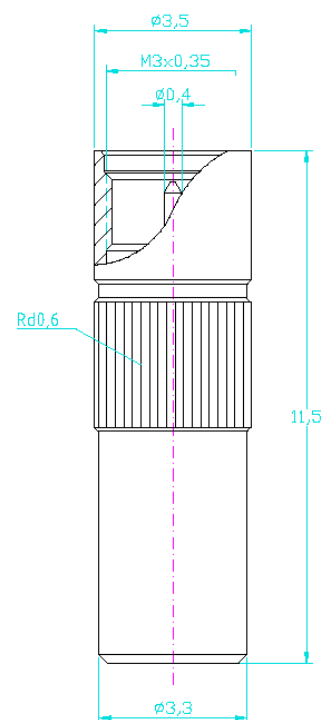
Crimp-Clamp

X-M3-1A-02

XM31A02

Specifications:

Impedance:	50 Ω
Frequency range:	0 ... 2 GHz
Insulation resistance:	$\geq 10^8$ M Ω
Center contact resistance:	≤ 3.0 m Ω
Outer contact resistance:	≤ 3.0 m Ω
Test voltage:	500 V rms
Contact current:	≤ 3 A typ.
Mating cycles:	500 matings
Temperature range:	-40 °C to +230 °C
Vibration:	10 to 60 Hz at 15g during 30 min./axis
Shock:	50g halfsinus, 3 shocks/axis, during 11 sec.



Materials / Plating:

Body:	CuZn / Ni
Center contact:	CuZn / Au
Clamp parts:	CuZn / Ni
Insulation:	PTFE
Gasket:	Rubber
<i>Suitable cables:</i>	RGL 196

While the information in this datasheet has been carefully compiled to the best of our knowledge, nothing is intended as representation of warranty on our part and no statement herein shall be construed as recommendation to infringe existing patents. In the effort to improve our products, we reserve the right to make changes judged to be necessary.



Walter Krenn
Hochfrequenztechnik GmbH

Simmeringer Hauptstraße 421
1110 Wien, Austria

Tel.: +43-1-748 7117/0

Fax.: +43-1-748 7117/90