

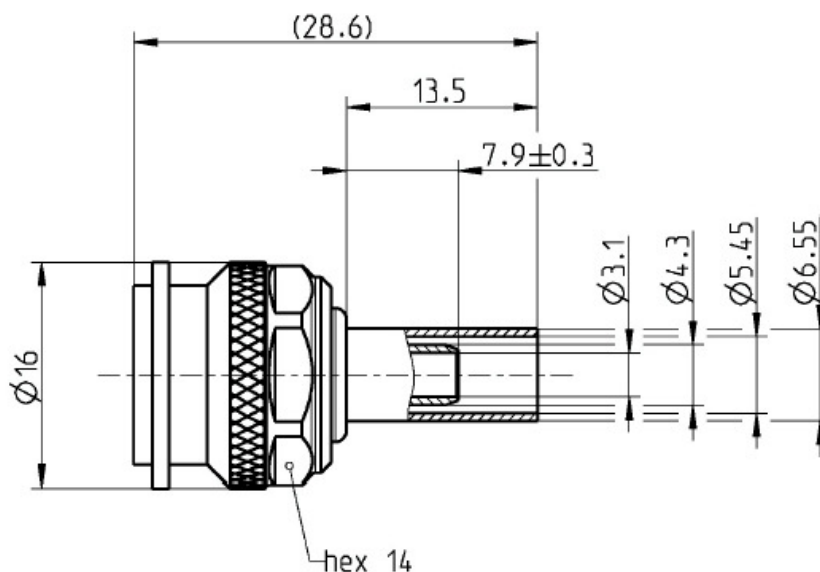
Specifications:

| | |
|-----------------------------------|---|
| Impedance: | 50 Ω |
| Frequency range: | 0 ... 10 GHz |
| Return loss: | ≥ 33 dB, DC ... 2,5GHz ≥ 30 dB, 2,5 ... 6GHz |
| Insertion loss: | $\leq 0,15$ dB |
| Insulation resistance: | $\geq 5 \times 10^3$ M Ω |
| Center contact resistance: | $\leq 1,5$ m Ω |
| Outer contact resistance: | ≤ 1.0 m Ω |
| Test voltage: | 1500 V rms |
| Working voltage: | 400V rms |
| Power handling: | ≤ 80 W @ 2GHz |
| Mating cycles: | Min. 500 matings |
| Center contact captivation: axial | ≥ 15 N |
| Temperature range: | -55°C to +155°C |

Materials / Plating:

| | |
|-----------------|---------------------------------------|
| Body: | CuZn / Flash white bronze over silver |
| Center contact: | CuZn / Au, min. 0,8 μ m, over Ni |
| Outer contact: | CuZn / Flash white bronze over silver |
| Dielectric: | PTFE |
| Gasket: | NeopreneCR 50C6 |

Suitable cable(s): 11-RJV30/61R-N1



While the information in this datasheet has been carefully compiled to the best of our knowledge, nothing is intended as representation of warranty on our part and no statement herein shall be construed as recommendation to infringe existing patents. In the effort to improve our products, we reserve the right to make changes judged to be necessary.